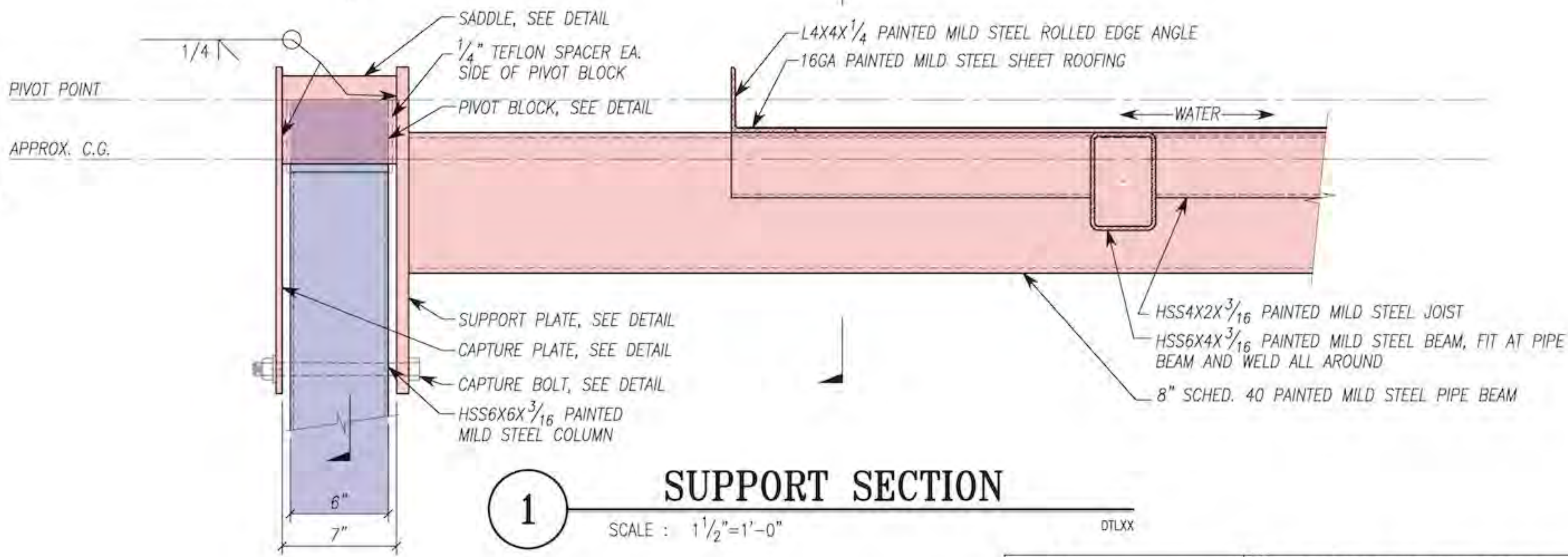


NOTE: VERTICAL PLACEMENT OF PIPE BEAM ON  $\phi \frac{3}{4}"$  SUPPORT PLATE WILL BE ADJUSTED TO DETERMINE LOCATION OF CENTER OF GRAVITY RELATIVE TO PIVOT POINT THAT WILL RESULT IN ARTISTS' DESIRED BEHAVIOR



**1** SUPPORT SECTION  
 SCALE : 1 1/2" = 1'-0"

 ART + ENGINEERING 303.646.7553   yetiroot@gmail.com www.yetiweurks.com	TITLE: SUPPORT AND TILT DETAILS	S-000
	PROJECT NAME: NORFOLK SCULPTURE	
	DRAWN BY: NAG	
	SCALE: AS NOTED	

PLOT DATE: 02/16/2017  
 DRAWING FILE NAME: 1001\_000  
 Copyright © 2017 yetiweurks llc.